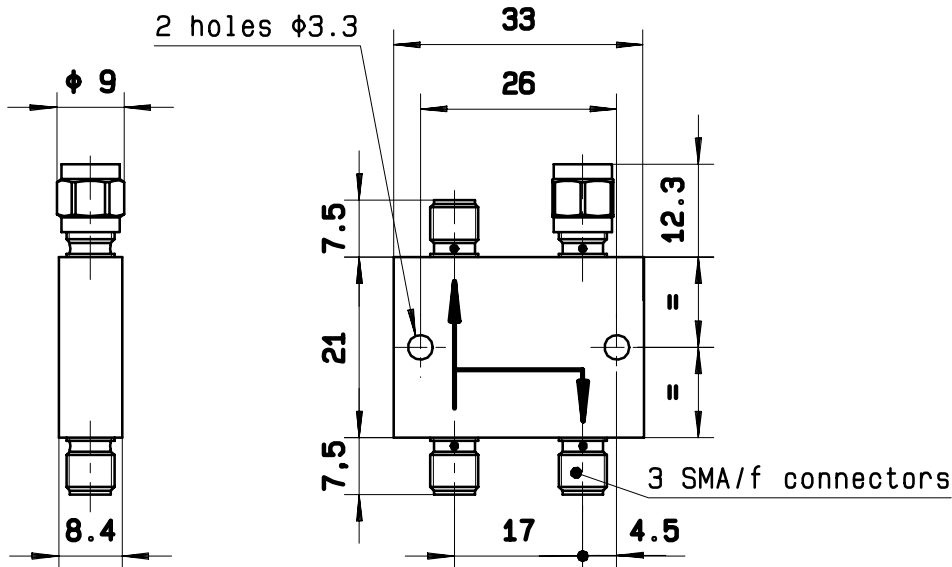




DRAWING



R F CHARACTERISTICS

General tolerances: +/- 0.5 mm

FREQUENCY RANGE	: 2 - 4 GHz
IMPEDANCE	: 50 Ohms
COUPLING	: 10 dB ± 0.3 dB
FREQUENCY SENSITIVITY	: ± 0.8 dB
DIRECTIVITY	: >= 20 dB
INSERTION LOSS	: <= 1 dB
V.S.W.R	- Main line : <= 1.15
	- Coupled line : <= 1.15
AVERAGE POWER at 25°C	: 80 W
PEAK POWER at 25°C (1µs,1%.)	: 3 kW

MECHANICAL CHARACTERISTICS

CONNECTORS	: SMA female per MIL-C 39012
COAXIAL TERMINATION	: 50 Ohms, 1 W
WEIGHT	: < 60 g

ENVIRONMENTAL CHARACTERISTICS

OPERATING TEMPERATURE RANGE (°C)	: -25 , +70
STORAGE TEMPERATURE RANGE (°C)	: -25 , +70

This information is given as an indication. In the continual goal to improve our products, we reserve the right to make any modifications judged necessary.

4112-9212

CREATION				
N° :				
PEN/EP:CAT				
Name:TB				
Date:09. jan. 96				
APP.:VE				
ISSUE	REVISIONS	NAME	APPR.	

RADIALL®
101. rue P. Hoffmann -Z.I Ouest-
93116 ROSNY/BOIS Cedex-FRANCE
Phone:33(1)49353535
Fax :33(1)48546363
Twx RADIA 235220F